

Flow switches made of metal

With threaded pipe tee

Váš dodavatel:



JSP, s.r.o.
Raisova 547
506 01 Jičín

tel.: +420 493 760 811
fax: +420 493 760 820
e-mail: jsp@jsp.cz

Type VHS / VH3



Technical data	
Switching function	Contact → closes at increasing flow → opens at decreasing flow Reversing possible
Pressure rating	PN 25
Temperature ranges	
Medium	-25...110 °C
Ambient	-25...80 °C
Electrical data	
Electrical connection	
→ VHS	Plug connector DIN EN 175301-803-A incl. cable socket
→ VH3	1.5 m PVC jacket cable
Switching current	Max. 1 A
Switching voltage	Max. 230 VAC, 48 VDC
Rating	Max. 26 VA, 20 W
Degree of protection EN 60529	IP65
Protection class EN 60730-1	Class II
Approvals	



Benefits

- Flow switches with pipe tees DN 8...50
- Brass or stainless steel
- Various connectors or 1.5 m jacket cable
- Optional high pressure version up to 160 bar

Options

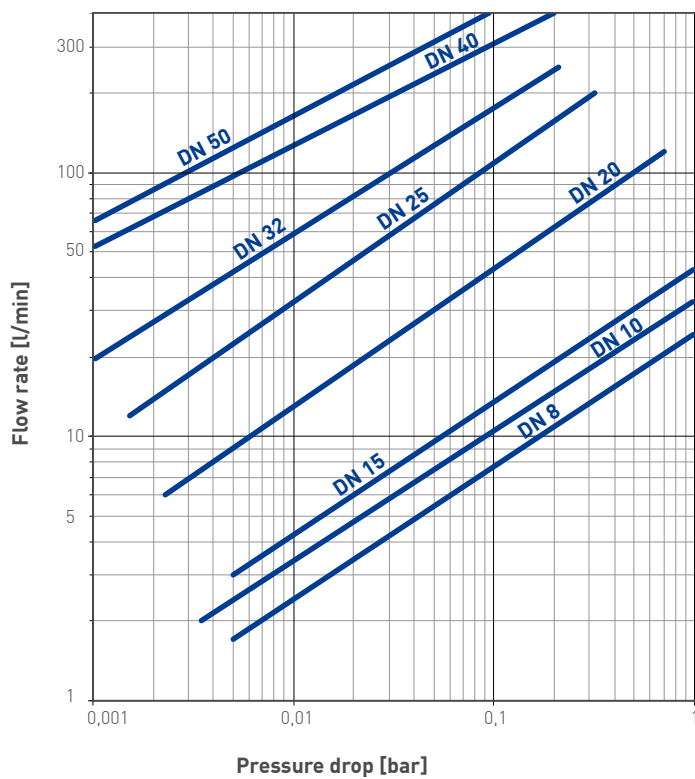
Electrical connection (version VHS)	→ Plug connector DIN EN 175301-803-A incl. cable socket with two LED for switching voltages 24 V...230 V AC/DC ±20 %, ambient temperature -20...70 °C → 4-pin-sensor plug M12 x 1
For use in potentially explosive atmospheres	Version VH...X
High pressure version made of brass on request	→ Up to 160 bar (incl. certificate)

Setpoint ranges and typical pressure drop

Nominal diameter	Thread connection D ₁	Setpoint ranges [l/min]*				Max. flow rate [l/min]
		VHS		VH3		
		Increasing flow ON	Decreasing flow OFF	Increasing flow ON	Decreasing flow OFF	
DN 8	G ¹ / ₄	2.1...2.7	1.8...2.4	1.9...2.5	1.7...2.3	45
DN 10	G ³ / ₈	2.5...3.2	2.2...2.9	2.4...3.0	2.1...2.8	60
DN 15	G ¹ / ₂	3.4...4.2	3.0...3.8	3.2...4.0	3.0...3.8	67
DN 15	G ¹ / ₂ male**	2.5...3.2	2.2...2.9	2.4...3.0	2.1...2.8	60
DN 15	G ³ / ₄ male**	2.5...3.2	2.2...2.9	2.4...3.0	2.1...2.8	60
DN 20	G ³ / ₄	7.0...9.1	6.4...8.2	6.6...8.2	6.3...7.8	120
DN 25	G 1	13.5...17.0	12.0...15.5	13.0...15.5	12.5...15.0	195
DN 32	G 1 ¹ / ₄	15.5...20.5	14.5...19.0	14.5...18.0	13.5...17.0	240
DN 40	G 1 ¹ / ₂	26.5...34.5	25.5...32.5	25.0...31.0	24.0...30.0	400
DN 50	G 2	39.5...51.0	39.0...50.0	37.5...47.5	36.5...46.5	400

* Water, 20 °C, horizontal pipe, tolerance ±15 %

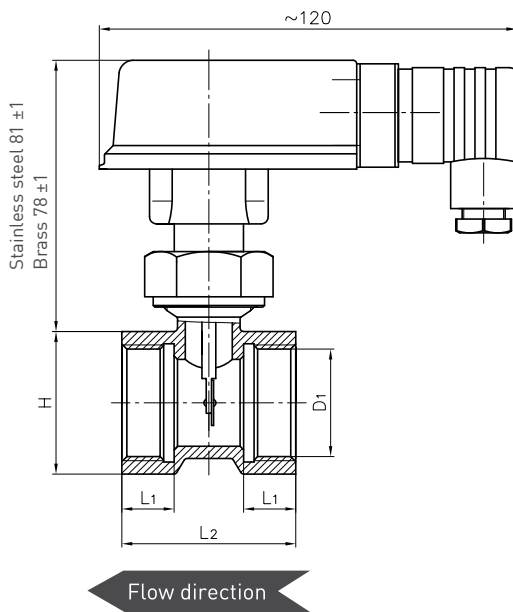
** Only available as brass version



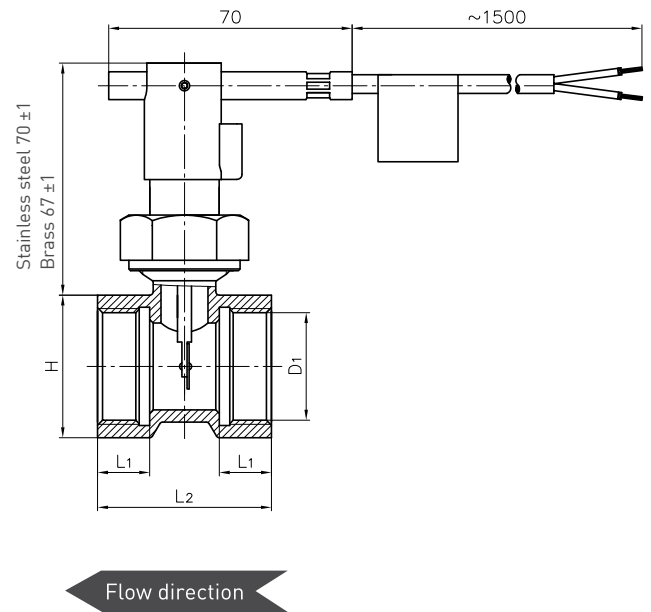
Dimensions and materials

Dimensions [mm]						
Thread connection D ₁	L ₁	L ₂	H	L ₁	L ₂	H
	Brass version			Stainless steel version		
G 1/4	11	50	27	11	50	27
G 3/8	11	50	27	11	50	27
G 1/2	11	50	27	11	50	27
G 1/2 (male)	10	60				
G 3/4 (male)	11	50				
G 3/4	15	50	32	15	50	32
G 1	15	50	41	15	50	41
G 1 1/4	15	50	48	15	50	46
G 1 1/2	15	50	55	15	50	55
G 2	22	64	70	15	50	70

VHS



VH3



Materials in contact with fluid

	Brass version	Stainless steel version
Body, Paddle	Brass CW614N	Stainless steel 1.4571
Pipe tee	Brass CW617N	Stainless steel 1.4571
Bushing	PPO Noryl GFN 3	PVDF
Rivet	Brass CW508L	Stainless steel 1.4303
Pin	Stainless steel 1.4571	
Magnet	Hard ferrite	
O-ring	NBR	

Order code

Order example		VHS	08	M011	7	1	I1	1
Type								
Flow switches VHS								
Plug connector incl. cable socket (standard)	VHS				7			
Plug connector incl. cable socket with LED (option)	VHS				9			
4-pin-sensor plug M12 x 1 (option)	VHS				8			
Flow switches VH3								
1.5 m PVC jacket cable	VH3				1			
1.5 m PVC blue jacket cable (only for option „for use in potentially explosive atmospheres“)	VH3				3			
Nominal diameter	Thread connection							
DN 8	G $\frac{1}{4}$		08				I1	
DN 10	G $\frac{3}{8}$		10				I2	
DN 15	G $\frac{1}{2}$		15				I3	
DN 15	G $\frac{1}{2}$ male (only brass version)		15				A3	
DN 15	G $\frac{3}{4}$ male (only brass version)		15				A4	
DN 20	G $\frac{3}{4}$		20				I4	
DN 25	G 1		25				I5	
DN 32	G 1 $\frac{1}{4}$		32				I6	
DN 40	G 1 $\frac{1}{2}$		40				I7	
DN 50	G 2		50				I8	
Material								
Brass				M011		1		1
Stainless steel				M031		3		3
Version								
Standard								()*
For use in potentially explosive atmospheres (Option)**								X

* No character

** Only available with blue jacket cable or with plug connector incl. cable socket