

Technical brochure

# Temperature controls, Type RT



RT temperature controls incorporate a temperature controlled, single-pole changeover switch where the contact position depends on the temperature of the sensor and the set scale value.

The RT series consists of temperature controls with room sensors, duct sensors and capillary tube sensors for general industrial and marine applications.

## Features

- Simple design
- High accuracy
- High repeatability
- Long operational life time
- Available with all major marine approvals

Váš dodavatel:



**JSP Měření a regulace**  
[www.jsp.cz](http://www.jsp.cz)

JSP, s.r.o.  
Raisova 547  
506 01 Jičín

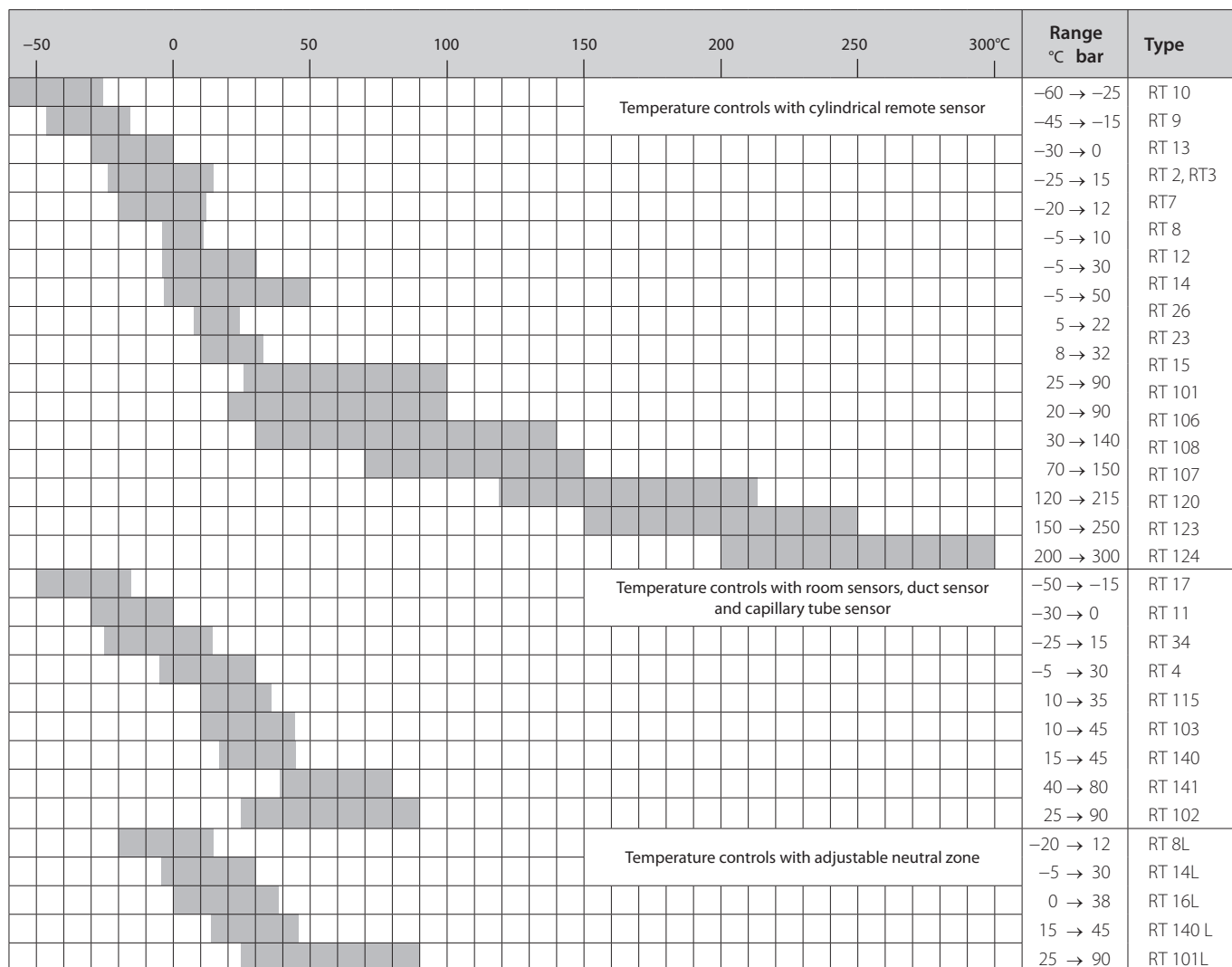
tel.: +420 493 760 811  
fax: +420 493 760 820  
e-mail: [jsp@jsp.cz](mailto:jsp@jsp.cz)

Approvals

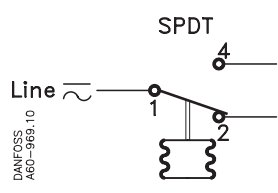
RT 2 RT 23 RT 26 RT 108	RT 4 RT 10 RT 11 RT 16L RT 17 RT 140L	RT 3 RT 7 RT 8 RT 8L RT 9	RT 12 RT 13 RT 14 RT 14L RT 15	RT 16 RT 102 RT 141	RT 34 RT 103 RT 115 RT 140	RT 101	RT 106 RT 107 RT 123	RT 120	RT 124	Approvals
•	•	•	•	•	•	•	•	•	•	CE marked acc. to EN 60947-4/-5
						•	•	•	•	Det Norske Veritas, DNV
•	•	•	•	•	•	•	•	•	•	China Compulsory Certificate, CCC
							•			Lloyds Register of Shipping, LR
		•	•			•	•	•		Germanischer Lloyd, GL
						•				Bureau Veritas, BV
•	•	•	•	•	•	•	•	•	•	Registro Italiano Navale, RINA
•	•	•	•	•	•	•	•	•	•	Russian Maritime Register of shipping, RMRS
•		•	•			•	•	•	•	Nippon Kaiji Kyokai, NKK

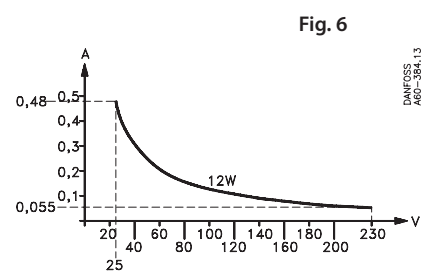
**Note:** In addition we refer to the certificates, the copies of which can be ordered from Danfoss.  
GL approval is conditional on the use of a ship's cable entry.

Overview / survey

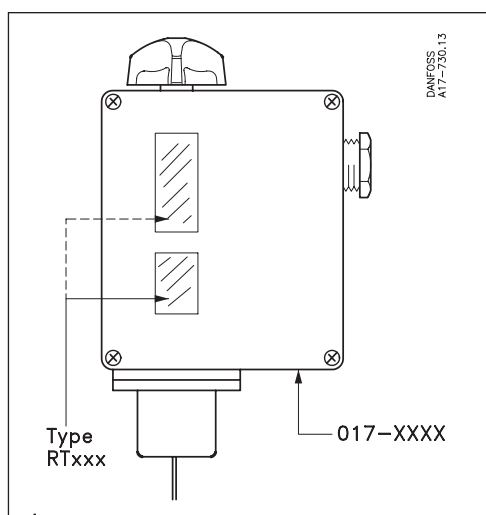


Technical data

Designation	RT thermostats
<b>Ambient temperature</b>	-50 to 70°C . See remarks on charge types page 9
<b>Contact system</b>	 <p>Single-pole changeover switch (SPDT)</p>
<b>Contact load</b>	<p><b>Alternating current:</b>            AC-1 : 10A, 400 V            AC-3 : 4A, 400 V            AC-15 : 3A, 400 V</p>
<b>Contact material:</b> AgCdO	<p><b>Direct current:</b>            DC-13 : 12 W, 230 V            (see fig. 6)</p>
<b>Special contact system</b>	See "accessories" pages 15-16
<b>Cable entry</b>	2 PG 13.5 for 6 - 14 mm diameter cables
<b>Enclosure</b>	IP 66 acc. to IEC 529 and EN 60529. Units supplied with external reset: IP 54. The thermostat housing is made of bakelite acc. to DIN 53470. Cover is made of polyamide.



Identification



The type designation of the units is given on the setting scale. The code no. is stamped on the bottom of the thermostat housing.

Technical data and code nos.

When ordering, please state type and code number.

Types of charge:

A: Vapour charge – sensor must not be the warmest part.

B: Adsorption charge

C: Partial charge – the sensor must not be the coldest part

**Technical data and code nos.**

(continued)

Temperature controls with cylindrical remote sensor



RT 107  
with cylindrical remote sensor,  
cover with windows and hand  
setting knob



RT 106  
with cylindrical remote sensor,  
cover with windows and hand  
setting knob

Setting range °C	Adjustable differential range*)		Max. sensor temperature °C	Type of charge	Capillary tube length m	Code no.		Type
	At lowest range setting °C	At highest range setting °C						
-45 → -15	2.2 → 10	1 → 4.5	150	A	2	<b>017-506666</b>		RT 9
-30 → 0	1.5 → 6	1 → 3	150	A	2	<b>017-509766</b>		RT 13
-25 → 15	2.8 → 10	1 → 4	150	A	2	<b>017-501466</b>		RT 3
-25 → 15	2.8 → 10	1 → 4	150	A	5	<b>017-501666</b>		RT 3
-25 → 15	2.8 → 10	1 → 4	150	A	8	<b>017-501766</b>		RT 3
-25 → 15	5 → 18	6 → 20	150	B	2	<b>017-500866</b>		RT 2
-25 → 15	2 → 10	2.5 → 14	150	B	2	<b>017-505366</b>		RT 7
-25 → 15	2 → 10	2.5 → 14	150	B	5	<b>017-505566</b>		RT 7
-25 → 15	2 → 10	2.5 → 14	150	B	8	<b>017-505666</b>		RT 7
-20 → 12	1.5 → 7	1.5 → 7	145	B	2	<b>017-506366</b>		RT 8
-5 → 10	1 → 3.5	1 → 3	65	B	2	<b>017-508966</b>		RT 12
-5 → 30	2 → 8	2 → 10	150	B	2	<b>017-509966</b>		RT 14
-5 → 30	2 → 8	2 → 10	150	B	3	<b>017-510066</b>		RT 14
-5 → 30	2 → 8	2 → 10	150	B	5	<b>017-510166</b>		RT 14
-5 → 30	2 → 8	2 → 10	150	B	8	<b>017-510266</b>		RT 14
-5 → 30	2 → 8	2 → 10	150	B	10	<b>017-510366</b>		RT 14
-5 → 50	2 → 9	3 → 19	150	B	2	<b>017-518066</b>		RT 26
5 → 22	1.1 → 3	1 → 3	85	B	2	<b>017-527866</b>		RT 23
8 → 32	1.6 → 8	1.6 → 8	150	B	2	<b>017-511566</b>		RT 15
25 → 90	2.4 → 10	3.5 → 20	300	B	2	<b>017-500366</b>	<b>017-500566</b>	RT 101
25 → 90	2.4 → 10	3.5 → 20	300	B	3	<b>017-500666</b>		RT 101
25 → 90	2.4 → 10	3.5 → 20	300	B	5	<b>017-502266</b>		RT 101
25 → 90	2.4 → 10	3.5 → 20	300	B	8	<b>017-502466</b>		RT 101
25 → 90	2.4 → 10	3.5 → 20	300	B	10	<b>017-502566</b>		RT 101
20 → 90	4 → 20	2 → 7	120	C	2	<b>017-504866</b>	<b>017-504966</b>	RT 106
20 → 90	4 → 20	2 → 7	120	C	3		<b>017-505166</b>	RT 106
20 → 90	4 → 20	2 → 7	120	C	5	<b>017-505066</b>		RT 106
30 → 140	5 → 20	4 → 14	220	B	2	<b>017-506066</b>		RT 108
70 → 150	6 → 25	1.8 → 8	215	C	2	<b>017-513566</b>	<b>017-513766</b>	RT 107
70 → 150	6 → 25	1.8 → 8	215	C	3	<b>017-513966</b>		RT 107
70 → 150	6 → 25	1.8 → 8	215	C	5	<b>017-514066</b>	<b>017-514366</b>	RT 107
70 → 150	6 → 25	1.8 → 8	215	C	8	<b>017-514466</b>		RT 107
70 → 150	6 → 25	1.8 → 8	215	C	10	<b>017-514566</b>		RT 107
120 → 215	7 → 30	1.8 → 9	260	C	2	<b>017-520566<sup>1)</sup></b>		RT 120
120 → 215	7 → 30	1.8 → 9	260	C	5	<b>017-520666<sup>1)</sup></b>		RT 120
120 → 215	7 → 30	1.8 → 9	260	C	8	<b>017-520766<sup>1)</sup></b>		RT 120
120 → 215	7 → 30	1.8 → 9	260	C	2	<b>017-520866</b>		RT 120
120 → 215	7 → 30	1.8 → 9	260	C	5	<b>017-520966</b>		RT 120
150 → 250	6.5 → 30	1.8 → 9	300	C	2	<b>017-522066</b>		RT 123
150 → 250	6.5 → 30	1.8 → 9	300	C	5	<b>017-522266</b>		RT 123
200 → 300	5 → 25	2.5 → 10	350	C	2	<b>017-522766</b>		RT 124
200 → 300	5 → 25	2.5 → 10	350	C	5	<b>017-522966</b>		RT 124

\*) See also pages 5-6

<sup>1)</sup> Thermostats fitted with neon lamp connected to terminal 4

**Preferred charge**

**Technical data and code nos.**  
(continued)



RT 115  
with room sensor

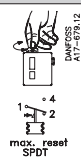


RT 140  
with duct sensor



RT 16L  
with room sensor (neutral zone temperature control)

Temperature controls with cylindrical remote sensor

Setting range °C	Fixed differential range*)		Max. sensor temperature °C	Type of charge	Capillary tube length m	Code no. 	Type
	At lowest range setting °C	At highest range setting °C					
25 → 90	2,4	4,1	300	B	2	<b>017-500466</b>	RT101
25 → 90	2,4	4,1	300	B	5	<b>017-502366</b>	RT101
70 → 150	6,0	1,8	215	C	2	<b>017-513666</b>	RT107
70 → 150	6,0	1,8	215	C	5	<b>017-514166</b>	RT107
120 → 215	7,0	1,8	260	C	2	<b>017-521166<sup>1)</sup></b>	RT120
120 → 215	7,0	1,8	260	C	2	<b>017-521466<sup>2)</sup></b>	RT120
150 → 250	6,5	1,8	260	C	2	<b>017-522466</b>	RT123
200 → 300	5,0	2,5	350	C	2	<b>017-523166</b>	RT124
10 → 35	1,8	1,8	92	B	1	<b>017-500466<sup>3)</sup></b>	RT115
10 → 35	1,8	1,8	92	B	1	<b>017-502366<sup>4)</sup></b>	RT115

\*) See also pages 4-6 / \*\*) See also fig. 1-4

<sup>1)</sup> Thermostats fitted with neon lamp connected to terminal 4 / <sup>2)</sup> Thermostat with tamper-proof seal cap

<sup>3)</sup> Can be connected to 220 V and 380 V / <sup>4)</sup> Can be connected to 220 V

Temperature controls with adjustable neutral zone

Setting range °C	Mechanical differential °C	Adjustable differential range*)		Max. sensor temperature °C	Type of charge	Capillary tube length m	Sensor type** Figure	Code no.	Type
		At lowest range setting °C	At highest range setting °C						
20 → -12	1.5	1.5 → 4.4	1.5 → 4.9	145	B	2	4	<b>017L003066</b>	RT 8L
-5 → 30	1.5	1.5 → 5	1.5 → 5	150	B	2	4	<b>017L003466</b>	RT 14L
0 → 38	1.5 / 0.7	1.5 → 5	0.7 → 1.9	100	A	-	1	<b>017L002466</b>	RT 16L
15 → 45	1.8 / 2	1.8 → 4.5	2 → 5	240	B	2	2	<b>017L003166</b>	RT 140L
25 → 90	2.5 / 3.5	2.5 → 7	3.5 → 12.5	300	B	2	4	<b>017L006266*</b>	RT 101L

\*) See also pages 5-6 / \*\*) See also fig. 1-4

Temperature controls with room sensor, duct sensor and capillary tube sensor

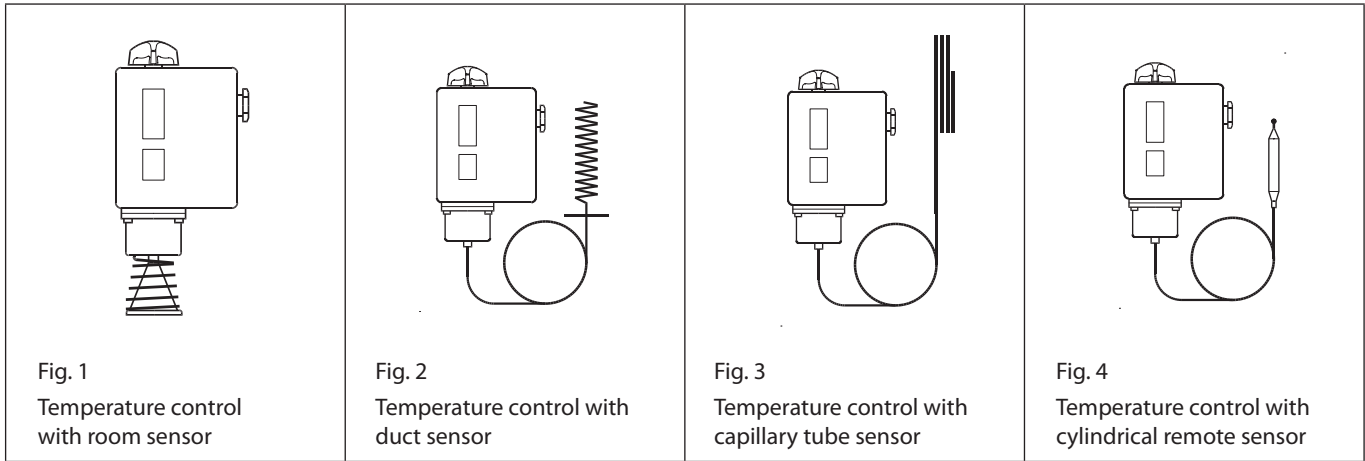
Setting range °C	Adjustable differential range*)		Max. sensor temperature °C	Type of charge	Capillary tube length m	Sensor type** Figure	Code no.	Type
	At lowest range setting °C	At highest range setting °C						
-50 → -15	2.2 → 7	1.5 → 5	100	A	-	1	<b>017-511766</b>	RT 17
-30 → 0	1.5 → 6	1 → 3	66	A	-	1	<b>017-508366</b>	RT 11
-25 → 15	2 → 10	2 → 12	100	B	-	1	<b>017-511866</b>	RT 34
-5 → 30	1.5 → 7	1.2 → 4	75	A	-	1	<b>017-503666</b>	RT 4
-5 → 30	1.5 → 7	1.2 → 4	75	A	-	1	<b>017-503766<sup>1)</sup></b>	RT 4
10 → 45	1.3 → 7	1 → 5	100	A	-	1	<b>017-515566</b>	RT 103
15 → 45	1.8 → 8	2.5 → 11	240	B	2	2	<b>017-523666</b>	RT 140
40 → 80	1.9 → 9	2.5 → 11	250	B	2	2	<b>017-524166</b>	RT 141
25 → 90	2.4 → 10	3.5 → 20	300	B	2	3	<b>017-514766</b>	RT 102

\*) See also pages 4-6 / \*\*) See also fig. 1-4

<sup>1)</sup> Bellows with built-in heating element which reduces the thermal differential (220V)

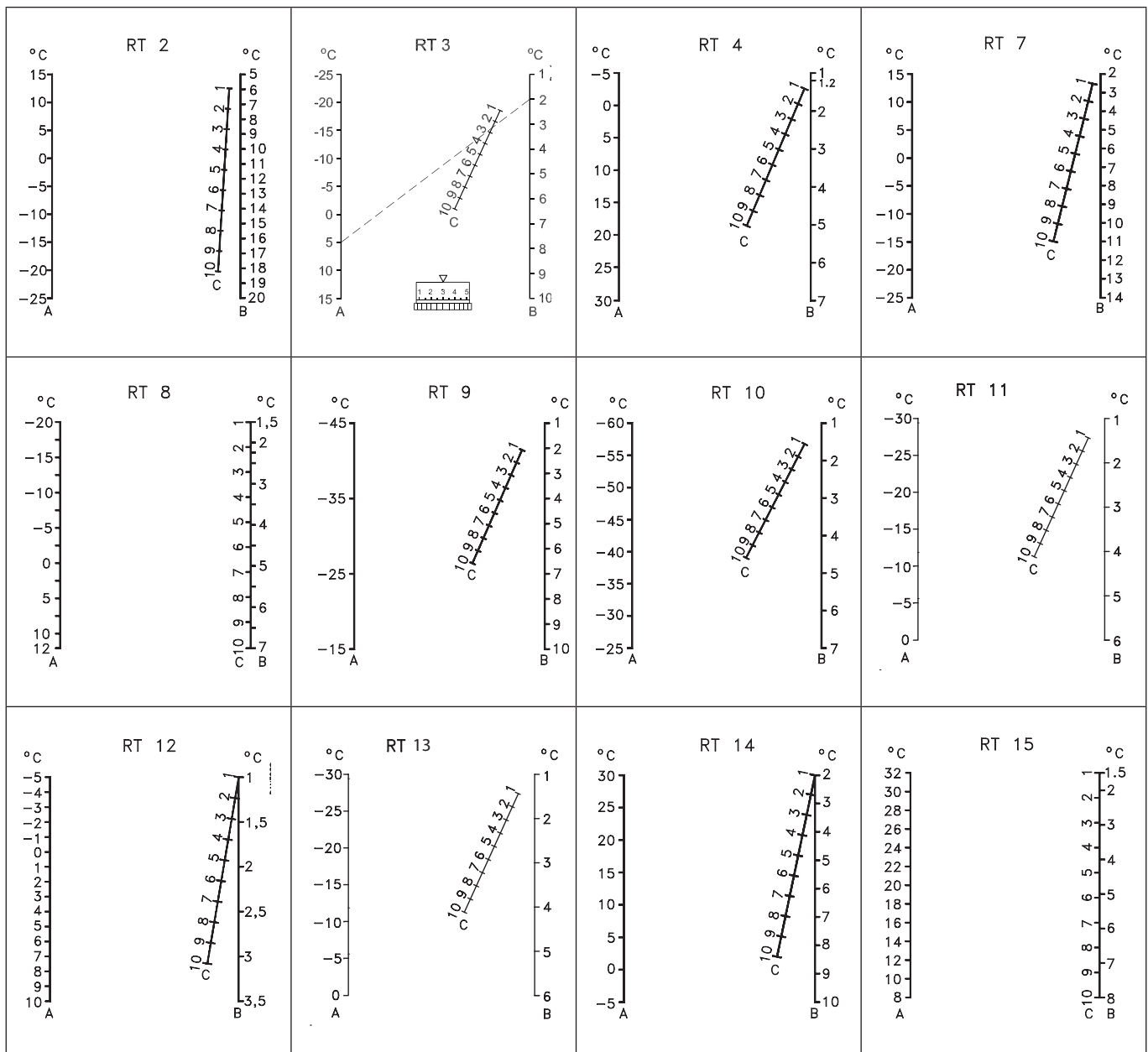
**Preferred charge**

Sensor types



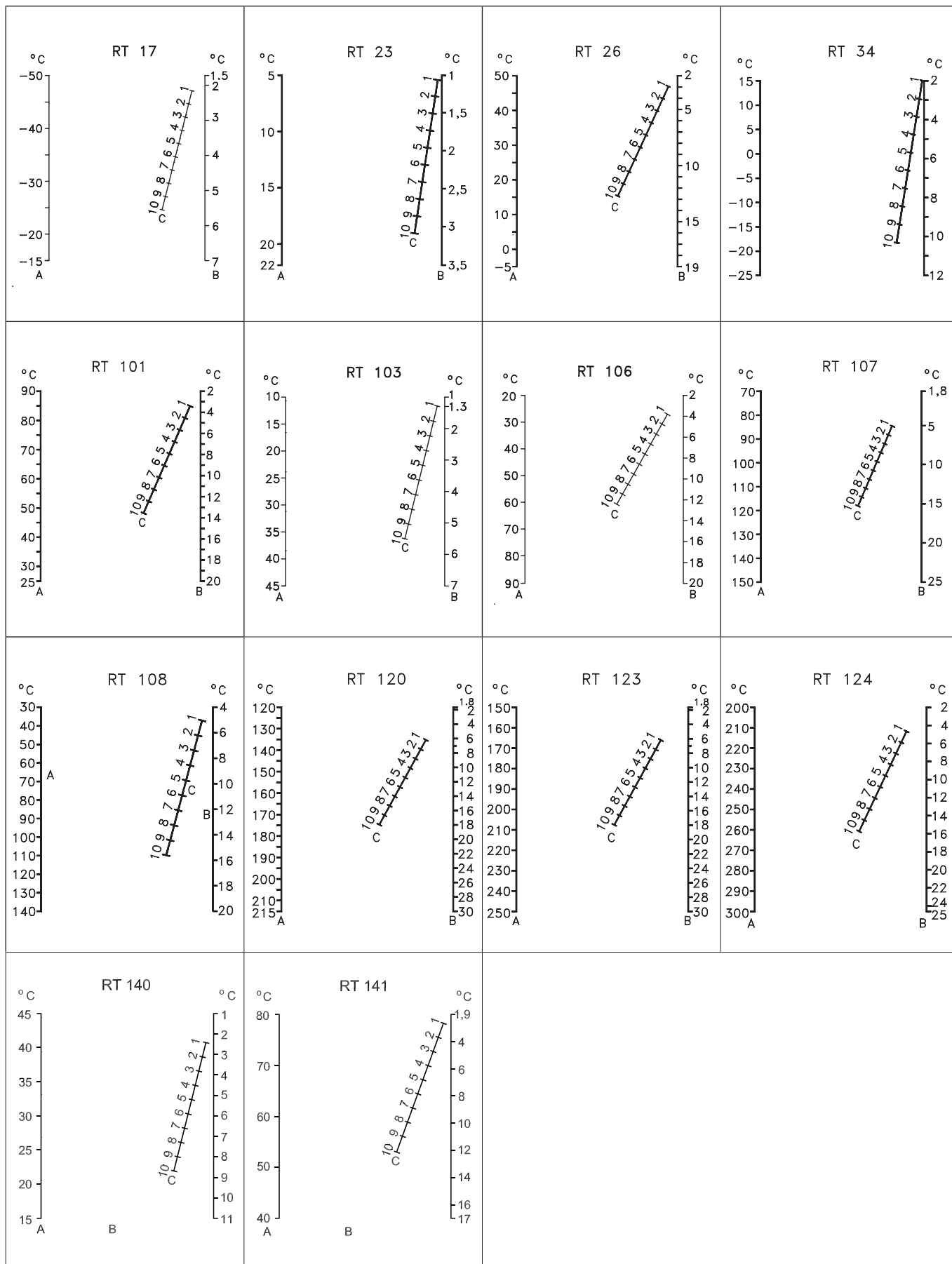
Nomograms for obtained differentials

A = Range setting  
B = Obtained differential  
C = Differential setting



Nomograms for obtained differentials

A = Range setting  
 B = Obtained differential  
 C = Differential setting



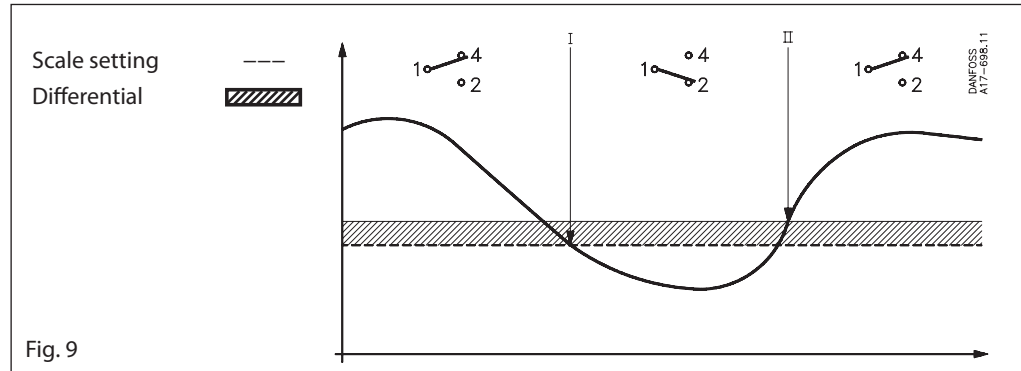
**Function**

*a. RT temperature controls with automatic reset*

The RT thermostats are set according to the function required on falling temperature. Contacts 1-4 break while contacts 1-2 make when the temperature falls to the scale setting. The contacts changeover to their initial position when the temperature again rises to the scale setting plus the differential (see fig. 9).

Contact function:

- I. Contact changeover for rising temperature occurs at scale setting plus differential.
- II. Contact changeover for falling temperature occurs at scale setting.

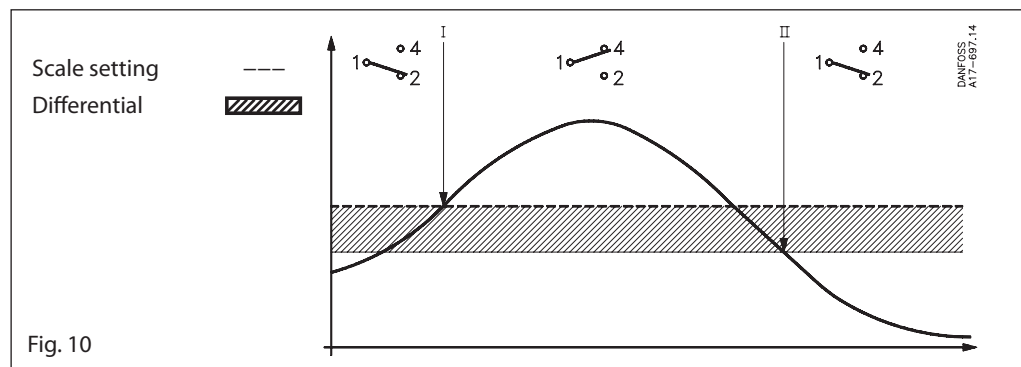


*b. RT temperature controls with max. reset*

Contacts 1-4 make while contacts 1-2 break when the temperature exceeds the set range value. The contacts changeover to their initial position when the temperature falls to the scale value minus the differential (see fig. 10).

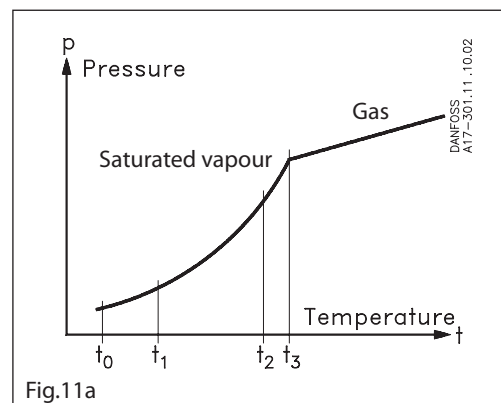
Contact function:

- I. Alarm for rising temperature given at the set value.
  - II. Alarm for falling temperature given at the set value minus the differential.
- Manual reset possible only when the temperature has fallen to the range setting minus differential.



**RT units with vapour charge**

The method of operation of these units is based on the connection between the pressure and temperature of situated vapour. The sensor system contains just a small amount of liquid and this is brought completely to vapour form. If the sensor in this type of unit is located coldest in relation to the capillary tube and bellows housing, the ambient temperature has no influence on regulation accuracy.





**RT units with adsorption charge**

The thermostatic element contains a superheated gas together with a solid substance (always in the sensor) having a large adsorption surface. This gives an advantage in that the sensor can be installed either colder or warmer than the remaining part of the thermostatic element. However, the charge is to some extent sensitive to changes in the temperature of the bellows and capillary tube.

*Scale correction*

If the thermostat is to be used in ambient temperatures that differ significantly from the factory setting (20°C), compensation can be made for the scale deviation:

Scale correction = Z x a

Z can be found from fig. 11c, while a is the correction factor from the table.

*Example:*

Find the necessary scale correction for a RT 108 with a regulation range +30 to +140°C.

Setting: 85°C

Ambient temperature: 50°C

*Correction:*

$$\frac{\text{Set value} - \text{min. scale value}}{\text{max. scale value} - \text{min. scale value}} \times 100 = \%$$

$$\frac{85 - 30}{140 - 30} \times 100 = 50\%$$

Correction factor from table 2.0 (a)

Factor for scale deviation (see fig. 11c): + 1.2 (Z)

Scale correction: Z x a = 1.2 x 2.0 = 2.4°C

Corrected setting: 85 + 2.4 = 87.4

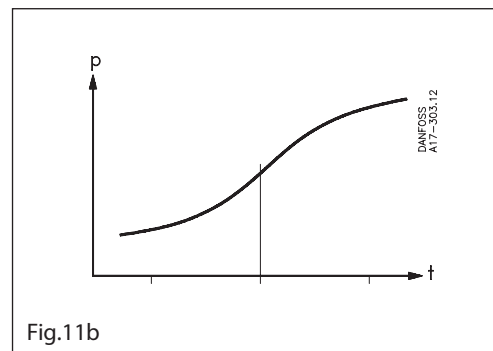


Fig.11b

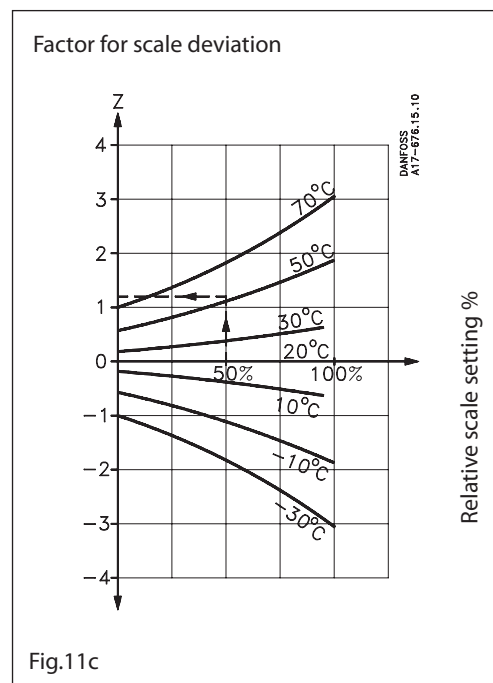


Fig.11c

Type	Range °C	Correction factor a
RT 2	-25 → 15	2.3
RT 7	-25 → 15	2.9
RT 8/L	-20 → 12	1.7
RT 12	-5 → 10	1.2
RT 14/L	-5 → 20	2.4
RT 15	8 → 32	1.2
RT 23	5 → 22	0.6
RT 101/L	25 → 90	5.0
RT 102	25 → 90	5.0
RT 108	30 → 140	2.0
RT 140/L	15 → 45	3.1

**RT units with solid charge**

The method of operation of these units is based on the connection between the pressure and temperature of saturated vapour.

The sensor system contains a fairly large amount of liquid, of which only a small part is brought to vapour form. If the sensor in this type of unit is located warmest in relation to the capillary tube and bellows housing, the ambient temperature has no influence on regulation accuracy.

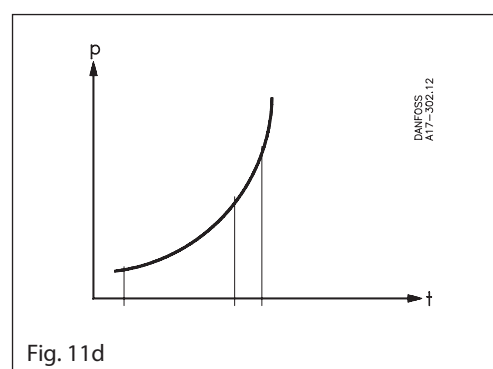
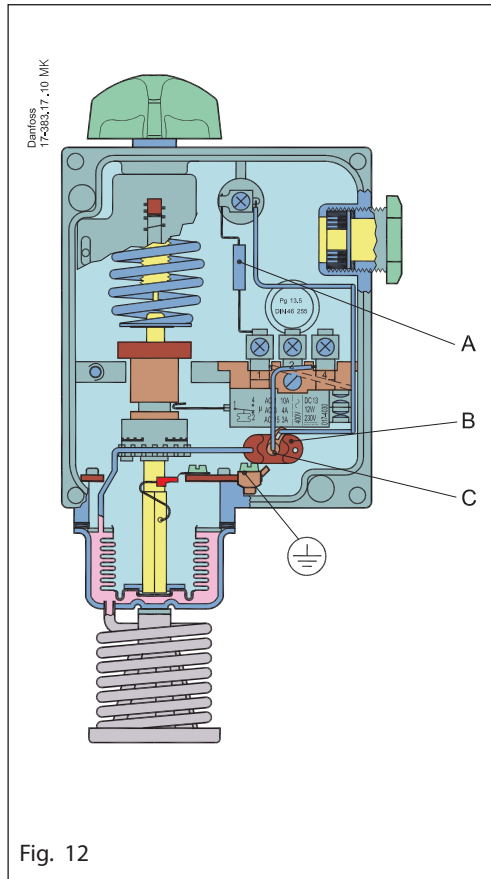


Fig. 11d

**RT 115 for control of ventilation plant in livestock buildings**



- A. Series resistor
- B. Bulb sensor
- C. Heating element

RT 115 has two sensors, each of which is connected to the space between bellows and bellows housing; see fig. 12. One sensor is a normal, external, rigid coiled capillary tube type, the other is a bulb sensor located in the thermostat housing.

The bulb sensor is heated by an element which is cut in when the thermostat stops the fans and is cut out when the thermostat starts the fans.

The four of operation is as follows:

If the room temperature is more than the value set on the thermostat, 20°C for example, the fans run continuously (100% operating time).

If the room temperature falls to 20°C, the switch contacts changeover, the fan stops and the bulb sensor heating element cuts in.

When the bulb sensor is heated up, pressure in the sensor system increases and after a certain time the switch changes over again thereby cutting in the fans and cutting out the element.

If the room temperature falls more than 2°C under the set temperature - in this example, lower than 18°C - the fans stop completely.

The heating element is cut in as usual but can no longer heat the bulb sensor sufficiently to create the required pressure increase in the thermostatic element to cut in the fans again. Thus with a room temperature of less than 18°C the operating time is 0%.

An example is shown in fig. 13.

With temperature settings other than the one shown, the inclined line in the diagram is displaced parallel. The line break point on the right of the diagram always corresponds to the set value. It is therefore possible to maintain a stable room temperature and at the same time obtain periodic ventilation where the duration of the ventilation periods depends on the difference between the actual room temperature and the set temperature.

By ensuring that the thermostat is always set at least 2°C over the lowest permissible room temperature, the thermostat will never allow the room temperature to fall below the desired level.

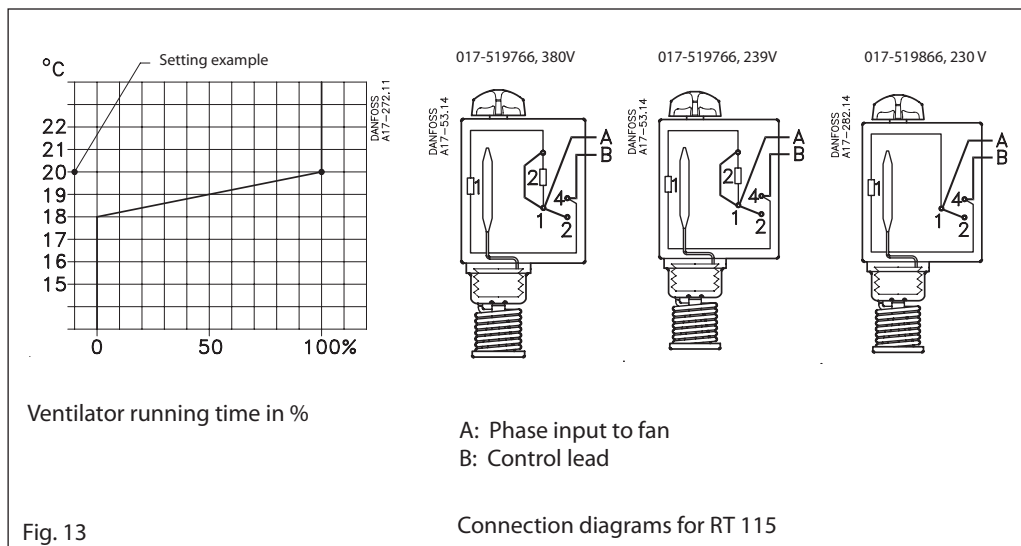


Fig. 13

Connection diagrams for RT 115

**Application**

RT-L thermostats are fitted with an adjustable neutral zone. This enables the units to be used for floating control. The terminology involved is explained below.

*Floating control*

A form of discontinuous control where the correcting element (e.g. valve, damper, or similar) moves towards one extreme position at a rate independent of the magnitude of the error when the error exceeds a definite positive and towards the opposite extreme position when the error exceeds a definite negative value.

*Hunting*

Periodic variations of the controlled variable from the fixed reference.

*Neutral zone*

The interval in the controlled variable in which the correcting element does not respond.

*Mechanical differential*

The interval between the values of the controlled variable in which the correcting element does respond.

The contact system in neutral zone units cannot be exchanged, as the contact system adjustment is adjusted to the other parts of the unit.

**Neutral zone setting**

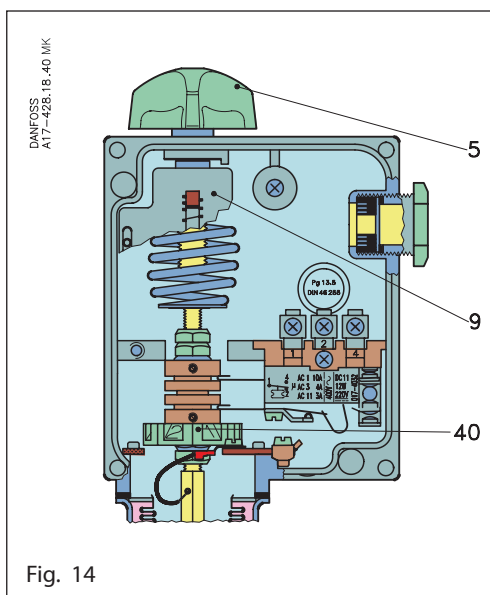


Fig. 14

The range is set using the setting knob (5), fig. 14, while reading the main scale (9). The set value is the break temperature for contacts 1-4, fig. 15. The required neutral zone can be found in the diagram for the unit concerned, fig. 16. The position at which the neutral zone disc (40) must be set can be read from the low scale in the diagram.

- 5. Setting knob
- 9. Main scale
- 40. Neutral zone disc with scale

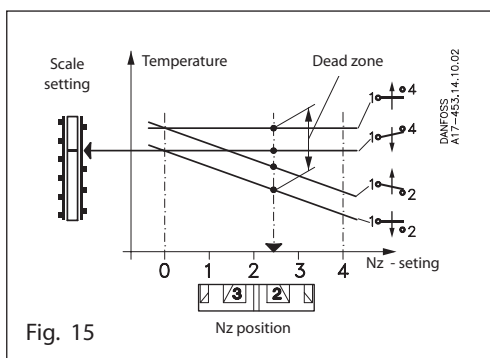


Fig. 15

*Example: RT 16L*

Setting temperature: +24°C  
Required neutral zone: 1.9°C

Using the setting knob, set the thermostat on 24°C. The dotted lines in the diagram for the RT 16L fig. 16 intersect each other on the curve for position 2.8 and the neutral zone setting disc (40) must be set to that position.

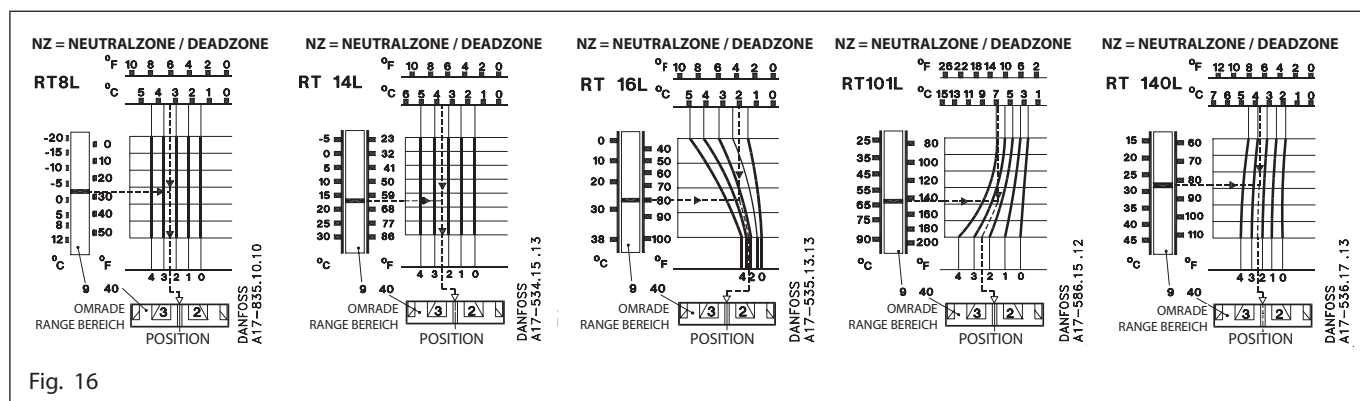
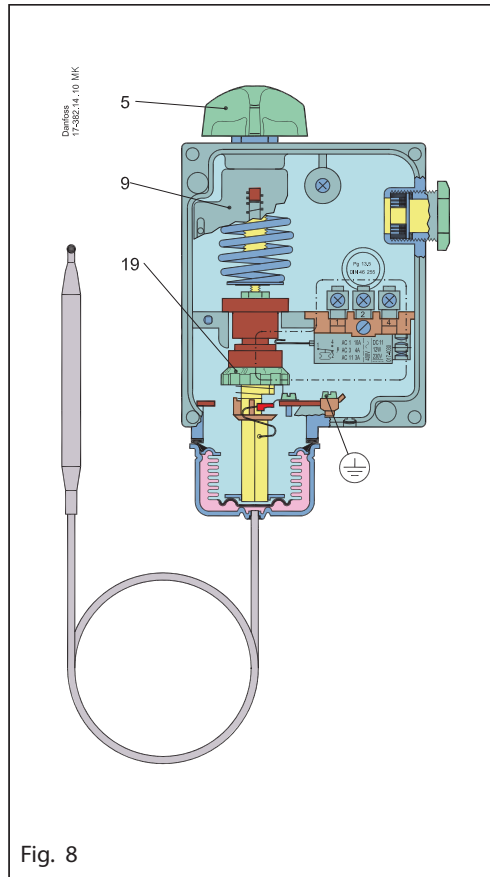


Fig. 16

Setting



- 5. Setting knob
- 9. Main scale
- 19. Differential setting disc

The range is set by using the setting knob (5) while at the same time reading the main scale (9).

Tools must be used to set thermostats fitted with a seal cap. The differential is set by the differential disc (19).

The size of the obtained differential can be established by comparing the set main scale value and the scale value on the differential disc, with the help of the nomogram for the thermostat concerned (see pages 5-6).

Example

Unit: RT 120

Range setting: 160°C

Differential setting: 2

It will be seen on the nomogram on page 6 that by drawing a line from 160°C on scale A, through 2 on scale C, the value for the differential can be read from scale B: 6°C.

Selection of differential (mechanical differential)

To ensure that the plant functions properly, a suitable differential is necessary. Too small a differential will give rise to short running periods with a risk of hunting. Too high a differential will result in large temperature variations.

Differentials

The mechanical differential is the differential that is set on the differential disc in the thermostat. The thermal differential (operating differential) is the differential the system operates on. The thermal differential is always greater than the mechanical differential and depends on three factors:

- 1) flow velocity of the medium
- 2) temperature charge rate of the medium and
- 3) heat transmission

The medium

The fastest reaction is obtained from a medium having high specific heat and high thermal conductivity. It is therefore advantageous to choose a medium that fulfills these conditions (provided there is a choice). The flow velocity of the medium is also of significance (optimum flow velocity for liquids is approx. 0.3 m/s)

Example:

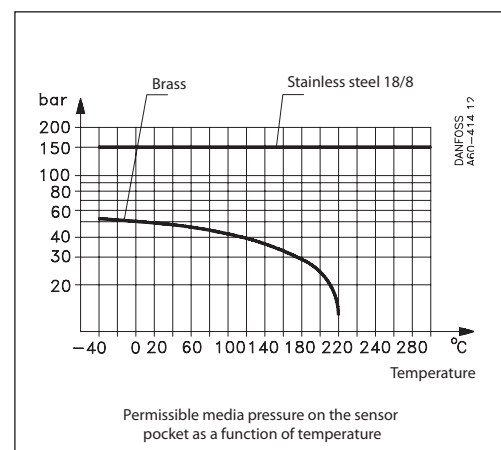
Regulation of a central heating boiler.

The temperature in an oil-fired central heating boiler must be regulated by a RT 101.

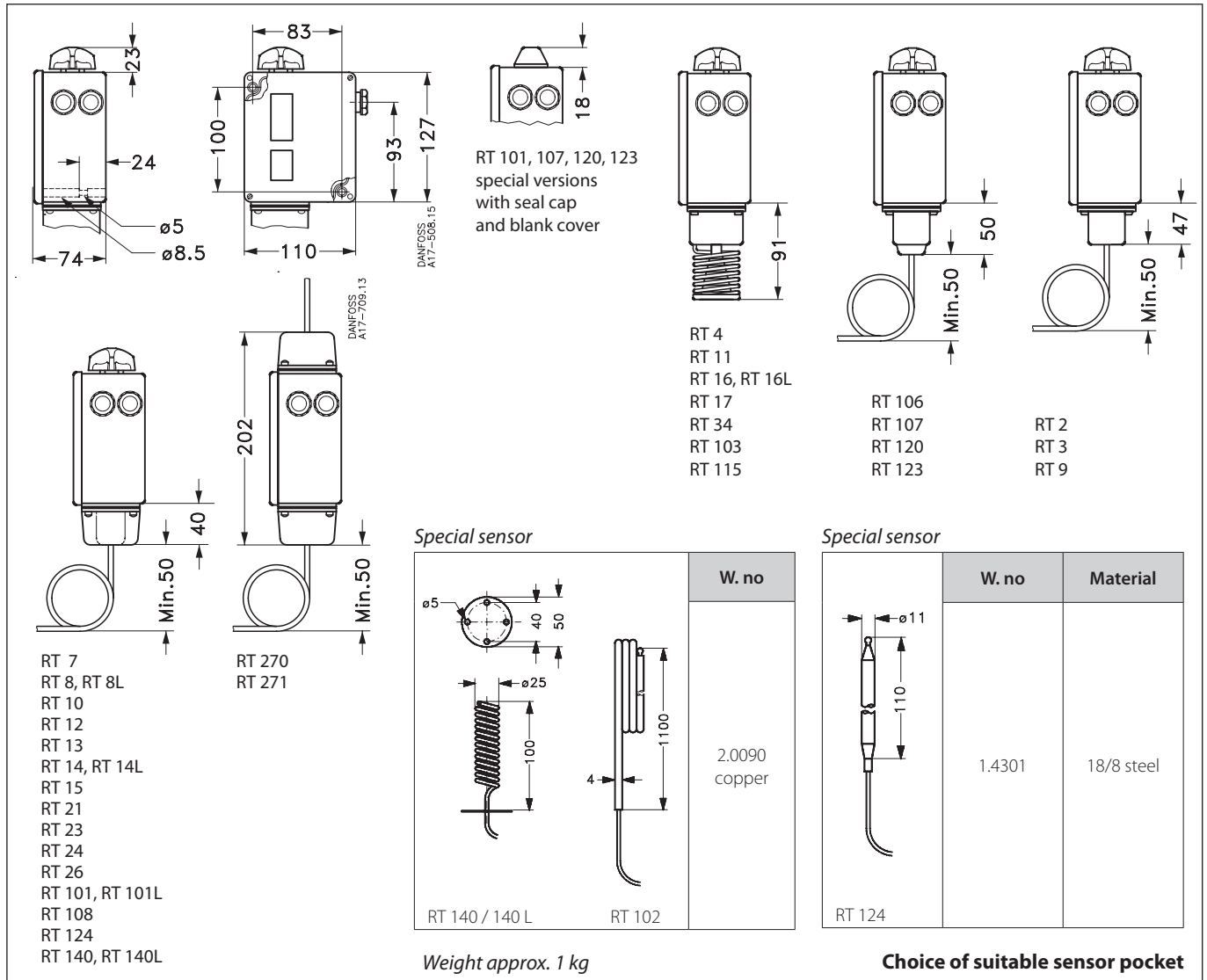
Max. temperature 76°C, Min. temperature 70°C, Differential 76-70 = 6°C.

1. Connect the oil burner via thermostat terminals 1-2.
2. Set the thermostat on 70°C using the hand knob (5), fig. 8.
3. Set the differential disc (19) on 3. This figure is obtained from the RT 101 nomogram, page 5.

When the plant has been operating for some time an assessment can be made of whether the thermal differential is satisfactory. If it is too large, reduce the mechanical differential of the thermostat.



Dimensions and weight



	W. no.	Type	Capillary tube length m	L mm	Suitable sensor pocket Code no.	Material	W.no	L mm	a1 mm	d mm
	2.0090 (copper)	RT2/3/7/9 10/13/26/120	2, 3, 5, 8, 10	80	017-437066	Brass	2.0321	112	G 1/2	11
					017-436966	18/8 steel	1.4301			
		RT 101/ 101L	2, 3	017-437066	Brass	2.0321	112	G 1/2	11	
				017-436966	18/8 steel	1.4301				
		RT8/8L/14/14L/ 15/ 107/123,270	2, 3, 5, 8, 10	110	017-437066	Brass	2.0321	112	G 1/2	11
					017-436966	18/8 steel	1.4301			
		RT 101	5, 8, 10	110	017-437066	Brass	2.0321	112	G 1/2	11
					017-436966	18/8 steel	1.4301			
RT 14	10	150	017-436766	Brass	2.0321	182	G 1/2	11		
RT 271	10	180	017-421666			465	G 1/2	11		
RT 12/13	2	210	017-421666			110 160	G 1/2	15		
RT 108	2	410	017-421666							
	2.0240 (brass)	RT 106	2.3	76	060L333066	Brass	2.0235	110 160	G 1/2	15
					060L332766	18/8 steel	1.4301			
					060L333166 060L332966					
		5	86	060L333066	Brass	2.0235	110 160	G 1/2	15	
				060L333166 060L332966	18/8 steel	1.4301				
Sensor pocket, solid version, internal diameter 13.1 mm					017-421866	AlSi 316L	1.4435	108	G 1/2	15.7

Switches

Version	Symbol	Description	Contact rating	Code no.
Standard		Single-pole changeover switch (SPDT) with terminal board proof against leakage current <b>Fitted in all standard versions of type RT<sup>1)</sup>.</b> Snap action changeover contacts.	<b>Alternating current:</b> AC-1 (ohmic): 10 A, 400 V AC-3 (inductive): 4 A, 400 V AC-14/15 (coil/transformer): 3 A, 400 V Blocked rotor: 28 A, 400 V	<b>017-403066</b>
With max. reset		For manual reset of unit after contact changeover on rising pressure <b>For units with max. reset.</b>	<b>Direct current:</b> DC-13/14: 12 W, 230 V	<b>017-404266</b>
With min. reset		For manual reset of units after contact changeover on falling pressure. <b>For units with min. reset.</b>		<b>017-404166</b>
Standard		Single-pole changeover switch (SPDT) with gold plated (oxide-free) contact surfaces. Increases cut-in reliability on alarm and monitoring systems, etc. Snap action changeover contacts. Terminal board proof against leakage current.	<b>Alternating current:</b> AC-1(ohmic): 10 A, 400 V AC-3 (inductive): 2 A, 400 V AC-14/15 1 A, 400 V Blocked rotor: 14 A, 400 V <b>Direct current:</b> DC-13/14: 12 W, 230 V	<b>017-424066</b>
Cuts in two circuits simultaneously		Single-pole changeover switch that cuts in two circuits simultaneously on rising pressure. Snap action changeover contacts. Terminal board proof against leakage current.	<b>Alternating current:</b> AC-1(ohmic): 10 A, 400 V AC-3 (inductive): 3 A, 400 V AC-14/15 2 A, 400 V Blocked rotor: 20 A, 400 V <b>Direct current:</b> DC-13/14: 12 W, 230 V*	<b>017-403466</b>
With non-snap action changeover contacts		Single-pole changeover with non-snap action changeover gold plated (oxide-free) contacts.	Alternating or direct current: 25 VA, 24 V	<b>017-018166</b>

<sup>1)</sup> At load types with low currents/voltages contact failure may occur on the silver contacts because of oxidation. In systems where such a contact failure is of great importance (alarm etc.), gold plated contacts are recommended.  
**Contact systems for neutral zone units are not available as spare parts. Exchange not possible, as the contact system adjustment is adjusted to the other parts of the unit.**

The switch contacts are shown in the position they assume on falling temperature, i.e. after downward movement of the RT main spindle.

The setting pointer of the control shows the scale value at which contact changeover occurs on falling temperature. An exception is switch no. **017-403066** with max. reset where the setting pointer shows the scale value at which contact changeover occurs on rising pressure.

Gold plated switches

Version	Symbol	Description	Contact rating	Code no.
With min. reset		For manual reset of unit after contact changeover on falling pressure. Gold plated (oxide-free) contact surfaces	<b>For Alarm application</b> <b>Alternating current:</b> AC-1 (ohmic): 10 A, 400 V AC-3 (inductive): 2 A, 400 V Full load current: 2 A, 400 V AC-14/15: 1 A, 400 V Blocked rotor: 14A, 400 V	<b>017-404766</b>
With max. reset		For manual reset of unit after contact changeover on rising pressure. Gold plated (oxide-free) contact surfaces	<b>Direct current</b> DC-13/14: 12W, 230 V <b>For control application</b> max. 100 mA / 30V a.c./ d.c. min. 1 mA / 5 V a.c. / d.c.	<b>017-404866</b>

## Spare parts and accessories

Part		Description	Qty.	Code no.
Cover		Cover: Polyamide With window	5	<b>017-436166</b>
		Colour: Pale grey RAL 7035 Without window	5	<b>017-436266</b>
Setting knob		Replacement Pale grey Ral 7035	30	<b>017-436366</b>
Seal cap		Seal cap to replace setting knob so that Setting can only be altered with tools Black	20	<b>017-436066</b>
Seal screws for cover and seal cap			1 + 1	<b>017-425166</b>
Capillary tube gland		For all RT thermostats with remote sensor. G $\frac{1}{2}$ A (pipe thread ISO 228/1), oil resistant rubber washer for max. 110°C/90 bar	5	<b>017-422066</b>
Capillary tube gland		For RT 106 thermostats with remote sensor. G $\frac{3}{4}$ A (pipe thread ISO 228/1), oil resistant rubber washer for max. 110°C/90 bar	1	<b>003N0155</b>
Sensor clip		For all RT units with remote sensor L = 76 mm	10	<b>017-420366</b>
Heat conductive compound		For RT thermostats with the sensor insert in a pocket. Tube with 3.5cm <sup>3</sup> compound to be filled in the sensor pocket to improve heat transfer between pocket and sensor. Application range for compound: -20 to +150°C, momentarily up to 220°C	10	<b>041E0114</b>
Sensor holder		For RT 14, RT 101 and RT 270. Sensor holder for wall mounting incl. four capillary tube clips	20	<b>017-420166</b>

## Sensor pocket for RT thermostats with cylindrical remote sensor

Used for the following types		Insertion length L mm	d mm	Material	Connection pipe thread ISO 228/1	Code no.
All except RT 12, 23, 106, 108, 124, 270		112	11	Brass	G $\frac{1}{2}$ A	<b>017-437066</b>
All except RT 12, 23, 106, 108, 124, 271		112	11	Stainless steel 18/8		<b>017-436966</b>
RT 106, RT 124 <sup>2)</sup>		110	15	Brass		<b>060L327166<sup>1)</sup></b>
RT 106, RT 124 <sup>2)</sup>		110	15	Stainless steel 18/8		<b>060L326866<sup>1)</sup></b>
RT 106, RT 124 <sup>2)</sup>		160	15	Brass		<b>060L326366<sup>1)</sup></b>
RT 106, RT 124 <sup>2)</sup>		160	15	Stainless steel 18(8		<b>060L326966<sup>1)</sup></b>
RT 271		182	11	Brass		<b>017-436766</b>
RT 108		465	11	Brass		<b>017-421666</b>

<sup>1)</sup> Supplied without washer set

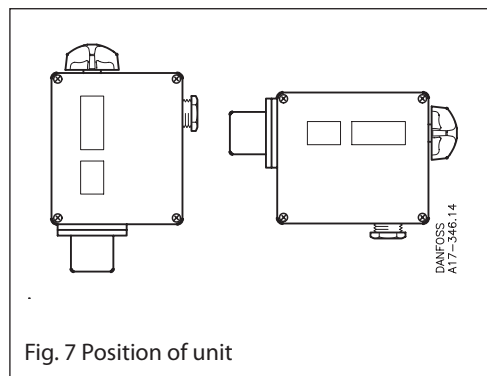
<sup>2)</sup> Unit supplied with washer set

See possibly page 13.

**Installation**

RT units have two fixing holes which become accessible when the front cover is removed. Units fitted with switch 017-018166\*) must be installed with the setting knob upwards. The other thermostats in the RT series can be installed in any position, except that on plant subjected to severe vibrations it is advantageous to have the screwed cable entry downwards.

\*) Contact system with non snap-action function. See spare parts and accessories, page 14.



Váš dodavatel:



**JSP Měření a regulace**  
[www.jsp.cz](http://www.jsp.cz)

JSP, s.r.o.  
Raisova 547  
506 01 Jičín

tel.: +420 493 760 811  
fax: +420 493 760 820  
e-mail: [jsp@jsp.cz](mailto:jsp@jsp.cz)